



**This sensor antenna can be used in combination with the LID665, LID650 (requires TM613), & LID608 decoder series.**

### General

This ferrite sensor antenna is made of ABS. The antenna can be used in combination with glass tags, or disc types passing over the antenna

The antenna is standard delivered with a 2 meter industrial antenna cable (other lengths on request)

The antenna can be fixed using two small bolts or screws.

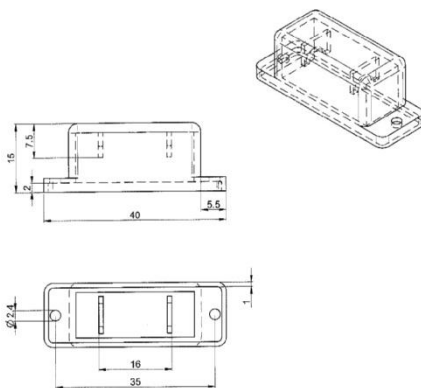
### Applications

- Industrial automation
- Robotics

### Maximum reading distance

Reading distances in combination with the LID650 (requires TM613) & LID608 decoder and LID665 single coil decoder.

\*Maximum readings in noise free environment



### Dimensions:

Max. 40x15x14mm

### Weight:

ca. 50 Gram

### Protection:

IP54

### Material:

ABS, black.

Transponder type	LID650+TM613 (mm)*	LID665
ID100	35	15
ID200	70	35
ID300	40	20
ID400	115	70

